

Docks Aluminium Led with guard



CODE NO.

9117

LAMP

 LED / 4000K

LUMEN

1420/ 600

W

14W / 230V/50Hz

IP

IP 66 

IK

IK08 (6 joules) / **Classe I**

CERTIFICATION

CONFORMITY

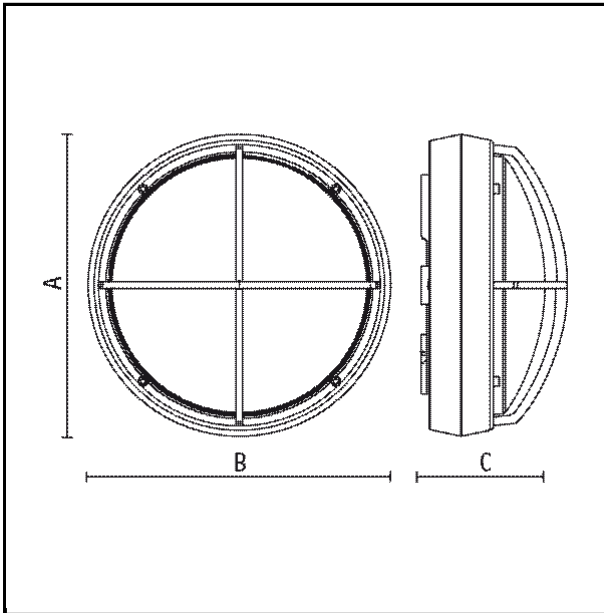
EN 60598-1:2015 + EN 60598-2-1:1989

COLOURS

ENERGY CLASS





SPECIFICATIONS

- External structure in primary aluminium with stainless steel screws
- Opal glass diffuser
- Rear cable entry
- Led 230V / CRI 80
- Life: L70B50 50.000 hours with max decreasing of 30%
- Other color temperature on request. Add TC to the code if 3000K

DIMENSIONS

A 268 mm

B 268 mm

C 129 mm

Print created on 11/12/2017 08:49

GOCCIA ILLUMINAZIONE s.r.l.

via E.Fermi, 59/65 | 25020 Poncarale (BS) Italy
Tel. +39.030.26.40.761 r.a. | Fax +39.030.26.40.271
www.goccia.it | info@goccia.it